

**Get 38° F Dew Point and
Oil Removal Efficiency (to 99%)
With ZEKS' Refrigerated Dryers
and exclusive**

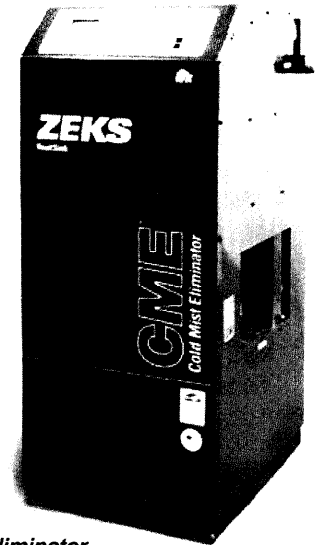
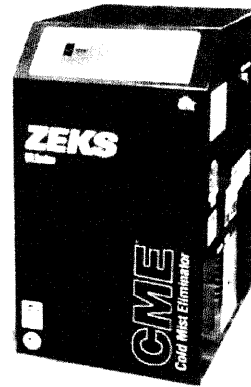
CME™ **Cold Mist Eliminator**

Compressed air contains moisture and contaminants that must be removed before use in pneumatic systems. Air compressor lubricant makes up a significant portion of the contaminants that can be damaging to pneumatic tools and processes, causing an increased requirement for maintenance and part replacement just to remain operational. Depending on compressor type, discharge temperature and pressure, and the type of lubricant used, oil concentrations in compressed air will vary, making it difficult to predict detrimental effects.

ZEKS' exclusive CME™ Cold Mist Eliminator refrigerated dryer option provides the most efficient way to remove harmful compressor lubricant from compressed air. This two-stage component is completely integrated into 200-400 scfm HeatSink™ cycling and NC Series non-cycling dryers, maintaining a minimal air treatment space requirement. Compressed air is dried to 38° F dew point – *and is essentially oil free!*

CME™ Operation

Compressed air entering ZEKS refrigerated dryers passes through our unique CFX™ exchanger assembly where it is chilled to 34°-36° F. This causes the largest possible concentration of moisture and compressor lubricant to condense into liquid droplet form - at 35° F, 100 times more oil can be coalesced out of the air than at 100° F. This bulk liquid (and any solids) is then removed in the centrifugal separator stage of the CME™ and discharged from the dryer with an automatic drain. The air then passes through the CME™ coalescing filter element where fine oil droplets and aerosols are removed before moving through the remainder of the refrigerated dryer. Low energy consumption results from this integrated arrangement because of very low pressure drop through the dryer exchanger assembly and the large CME™ element and housing.



*The CME™ Cold Mist Eliminator
Is available as an integrated option
on ZEKS 200-400 scfm refrigerated dryers*

CME™ Advantages:

- **Completely integrated with refrigerated dryer**
- **Very low total pressure drop through dryer**
- **Highest oil removal efficiency possible**
- **Minimal floor space requirement**
- **Only dryer air connection required**
- **Protection from compressor air/oil separator failure**
- **3-year, maintenance-free element service life**

**ZEKS HeatSink and NC Series dryers with
CME™ Cold Mist Eliminator greatly enhance
compressed air system performance!**

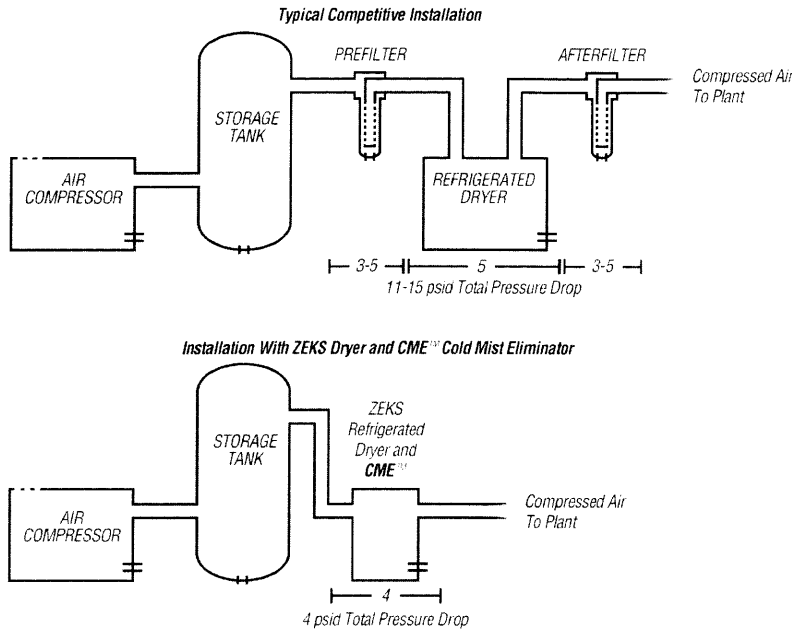
ZEKS

COMPRESSED AIR SOLUTIONS™

CME™

Cold Mist Eliminator

Installation of a ZEKS HeatSink™ or NC Series refrigerated dryer with CME™ Cold Mist Eliminator results in significant operating cost savings...



There is a 7 psid difference between an installation with a ZEKS dryer with CME™ and a typical competitive installation.

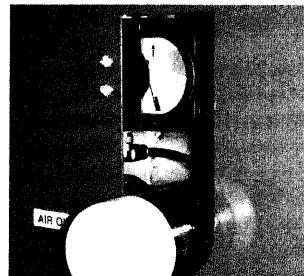
Annual Savings Resulting From A Pressure Drop Reduction of 7 psid

KW Cost	Air Compressor Horse Power	
	50	100
\$.04	\$ 293	\$ 586
\$.06	391	781
\$.08	521	1,042
\$.10	651	1,302
\$.12	781	1,562

(Savings calculations based on (2) 8 hour shifts/day, 5 days/week, 51 weeks/year = 4080 Hours)

CME™ Coalescing Element Service Life is 3 Yrs. Changeout of the coalescing element is completed by opening the flanged end of the CME housing and lifting the element out. The new element drops into position and the flanged end is secured. Air connections and drain lines are not touched.

Request ZEKS 200-800 scfm refrigerated dryer product literature for additional details and model specifications.



CME™ element condition is monitored through a Δp gauge, visible on the dryer side.

INNOVATIVE COMPRESSED AIR SOLUTIONS
www.zeks.com

Specifications, illustrative materials and descriptions contained herein were as accurate as known at the time this publication was approved for reproduction. The company reserves the right to change specifications, discontinue models, equipment or design without notice and without incurring obligation. The information set out in this brochure is for preliminary information only and is not intended to constitute any representation or warranty by ZEKS to potential customers or to form the basis of a contract with any customer.

ZEKS

COMPRESSED AIR SOLUTIONS™

1302 Goshen Parkway
 West Chester, PA 19380
 Phone: 610-692-9100 Fax: 610-692-9192 Web: www.zeks.com